

H4 HD Camera with Self-Learning Analytics

AVIGILON

Avigilon offers a broad range of high definition cameras – from 1 – 5 MP and 4 – 7K (based on horizontal resolution) – and are available in a variety of formats, including dome, panoramic and fixed. Whether it's a small storefront that requires a few cameras or a large complex system requiring complete coverage of numerous areas, you can trust that you're getting an exceptional solution for your security needs.

The innovative H4 HD camera is just one way Avigilon can help provide effective monitoring and protection.



Embedded with self-learning video analytics, the H4 HD cameras seamlessly integrate with Avigilon Control Center (ACC)[™], allowing security personnel to respond proactively and mitigate an incident before damage is done. The H4 HD camera features an integrated lens for remote focus and zoom control, and is ONVIF compliant for easy integration. It operates on the Avigilon H4 platform, providing enhanced HDSM[™] software features, triple Exposure Ultra-Wide Dynamic Range (WDR) and patented LightCatcher[™] technology ensuring you receive excellent image detail in areas where lighting is less than ideal. P-Iris control also allows the camera to automatically set its iris position to enhance image quality in all lighting conditions. Onboard storage capabilities let you manage storage directly on the camera using a standard SD memory card. This camera is extremely versatile and can work in almost any location, including banks, schools, retail outlets, municipal grounds and buildings, hotels, bars and restaurants.

KEY FEATURES

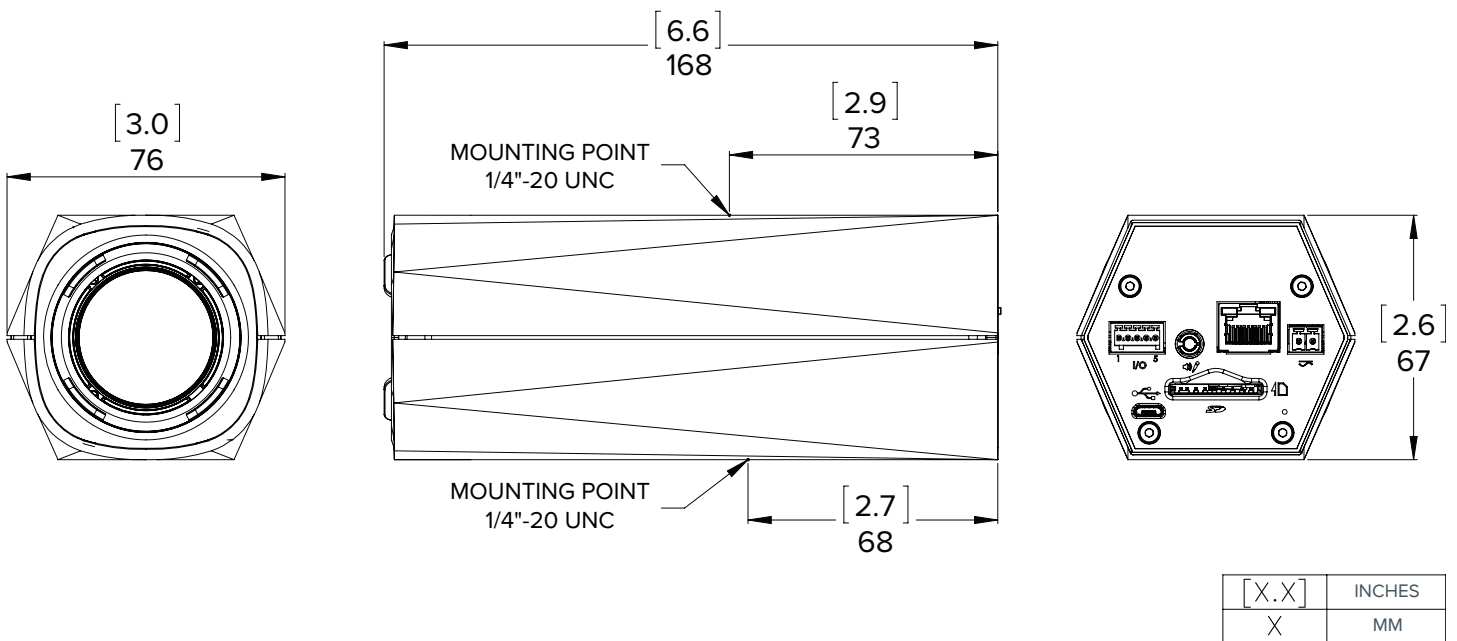
1-5 megapixel and 4K Ultra HD (8 MP) resolution
Patented Advanced Video Pattern Detection and Teach by Example Technology
Self-learning video analytics
Patented High Definition Stream Management (HDSM) [™] Technology
Available with 3-9 mm F1.3, 4.3-8 mm F1.8, or 9-22 mm F1.6 P-Iris lens with remote focus and zoom
Wifi camera configuration support
Avigilon LightCatcher technology provides exceptional image quality in low light environments (1-5 MP models)
Triple Exposure Ultra Wide Dynamic Range (1-3 MP models)
ONVIF API compliance with version 1.02, 2.00 and Profile S
Factory pre-configured image preset modes for maximum image performance in a variety of lighting conditions
Idle Scene Mode lowers the bandwidth and storage usage if there are no motion events detected in the scene
Full Feature or High Framerate camera operating modes (4K Ultra HD model)
RS-485 interface

SUPPORTED VIDEO ANALYTICS EVENTS

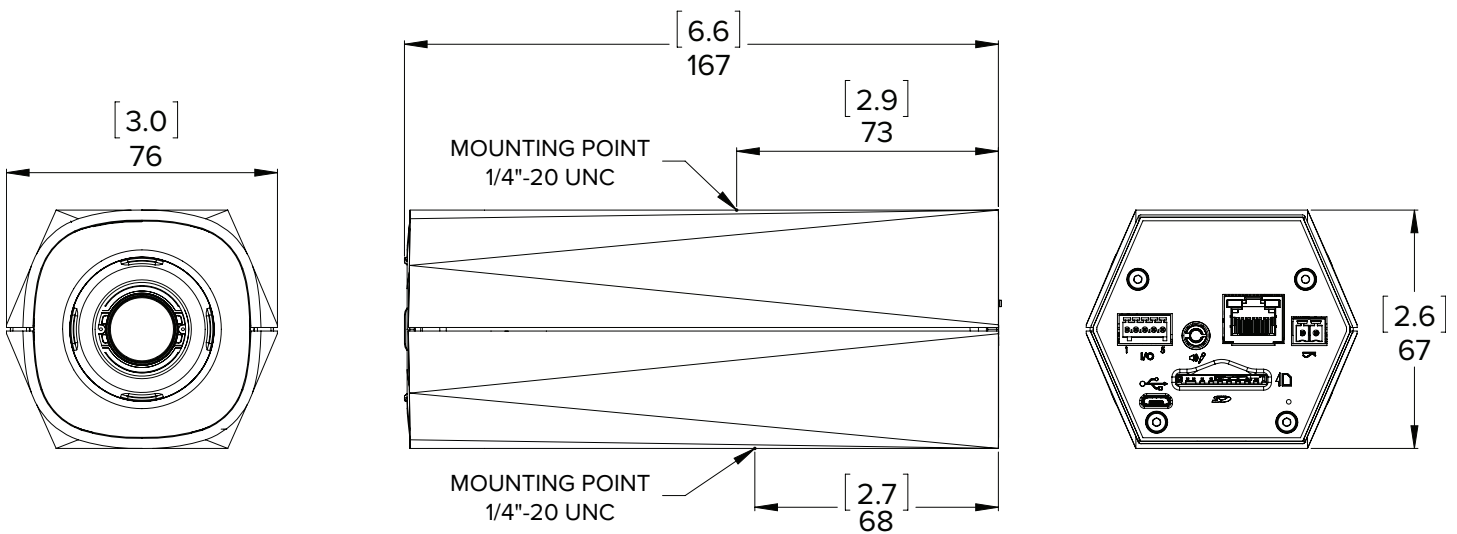
Objects in Area	The event is triggered when the selected object type moves into the region of interest.
Object Loitering	The event is triggered when the selected object type stays within the region of interest for an extended amount of time.
Objects Crossing Beam	The event is triggered when the specified number of objects have crossed the directional beam that has is configured over the camera's field of view. The beam can be unidirectional or bidirectional.
Object Appears or Enters Area	The event is triggered by each object that enters the region of interest. This event can be used to count objects.
Object Not Present in Area	The event is triggered when no objects are present in the region of interest.
Objects Enter Area	The event is triggered when the specified number of objects have entered the region of interest.
Objects Leave Area	The event is triggered when the specified number of objects have left the region of interest.
Object Stops in Area	The event is triggered when an object in a region of interest stops moving for the specified threshold time.
Direction Violated	The event is triggered when an object moves in the prohibited direction of travel.
Tamper Detection	The event is triggered when the scene unexpectedly changes.

Outline Dimensions

4.7-84.6 mm lens



3-9 mm lens | 4.3-8 mm lens | 9-22 mm lens



Ordering Information

H4 HD CAMERA SERIES

	MP	WDR	LIGHTCATCHER	ANALYTICS	LENS	DAY/NIGHT
1.0C-H4A-B1	1.0	✓	✓	✓	4.7 - 84.6 mm	✓
1.0C-H4A-B2	1.0	✓	✓	✓	3 - 9 mm	✓
1.0C-H4A-B3	1.0	✓	✓	✓	9 - 22 mm	✓
2.0C-H4A-B1	2.0	✓	✓	✓	4.7 - 84.6 mm	✓
2.0C-H4A-B2	2.0	✓	✓	✓	3 - 9 mm	✓
2.0C-H4A-B3	2.0	✓	✓	✓	9 - 22 mm	✓
3.0C-H4A-B1	3.0	✓	✓	✓	4.7 - 84.6 mm	✓
3.0C-H4A-B2	3.0	✓	✓	✓	3 - 9 mm	✓
3.0C-H4A-B3	3.0	✓	✓	✓	9 - 22 mm	✓
5.0L-H4A-B2	5.0		✓	✓	4.3 - 8 mm	✓
5.0L-H4A-B3	5.0		✓	✓	9 - 22 mm	✓
8.0-H4A-B2	8.0			✓	4.3 - 8 mm	✓
H4-AC-WIFI1-NA	USB Wifi Adapter					
CM-AC-AVIO1	3.5 mm Jack with 1.8 m Fly Wire					