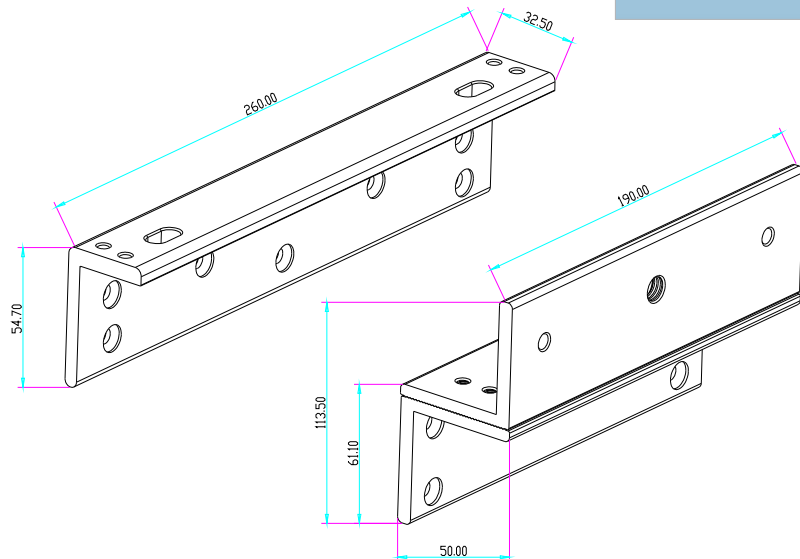
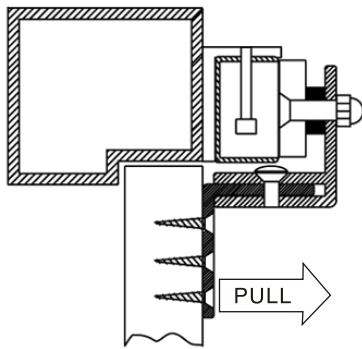
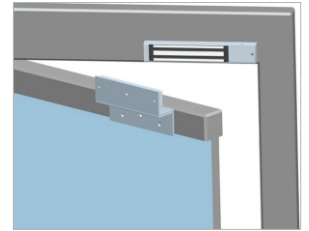


ZL Bracket for Magnetic Lock

- A. For in-swing door, install the lock body inside and then need to install the ZL bracket at the same time.
- B. Discharge the mounting plate from lock body.
- C. Fix the L bracket on the door frame and then fix the lock body on the L bracket .
- D. Assemble the Z bracket and then fix it on the door frame
- E. Fix the armature plate on the Z bracket



ZL Bracket for Magnetic Lock

- A. For in-swing door, install the lock body inside and then need to install the ZL bracket at the same time.
- B. Discharge the mounting plate from lock body.
- C. Fix the L bracket on the door frame and then fix the lock body on the L bracket .
- D. Assemble the Z bracket and then fix it on the door frame
- E. Fix the armature plate on the Z bracket

